

EV STAR CARGO

A Purpose Built

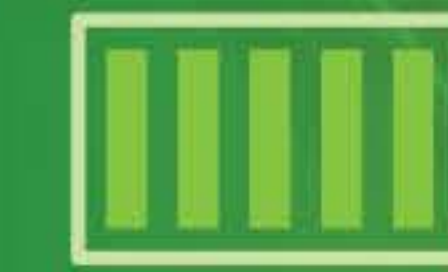
Multi-Utility • Zero-Emissions Vehicle



PURPOSE BUILT



RANGE
UP TO 241 KM



BATTERY SIZE
118 KWH



CHARGING
TRIPLE CHARGING CAPABILITIES
J1772 LEVEL 2 UP TO 11KW
CCS-1 LEVEL 3 UP TO 50KW
WIRELESS (OPTIONAL)



PAYLOAD CAPACITY
6.7056M (OPT.1)
UP TO 2948.35KG
7.62M (OPT.2)
UP TO 2721.554KG

OPTION 1

**6.71 EV STAR
M CARGO**

OPTION 2

**7.60 EV STAR
M CARGO**

TECHNICAL DATA

CLASSIFICATION

Heavy-duty class 4

GVWR

6499 kg

PAYLOAD CAPACITY

22'(Opt.1): Up to 2948.35kg

25'(Opt.1): Up to 2721.554kg

WIDTH

22'(Opt.1): 2.04216m

25'(Opt.2): 2.04216m

HEIGHT WITH BATTERY COOLING SYSTEM

22'(Opt.1): 2.4384m

25'(Opt.2): 3.07848m

WHEELBASE

431.8 cm

APPROACH

14.7 degrees

DESIGN LIFE

10 years

FRAME / BODY / ROOF

Steel

BODY

Fully e-coated body for corrosion protection

TIRES

205/75R 17.5

EMERGENCY EXITS

Hatch, window, door

HVAC

Electrical, standard

VEHICLE COMMUNICATION

CAN BUS

CARGO VOLUME CUBIC FEET

579 CU FT Cargo Area

BATTERY CHEMISTRY

LiFePo4

VOLTAGE

576VDC nominal

BATTERY CAPACITY

118 kWh

RANGE*

Up to 241 km

FUEL ECONOMY

20.4 km/l

TOP SPEED

104.6 km/h

(electronically Limited) on TOP SPEED

MOTOR POWER

150 kW

TRANSMISSION

None / Direct Drive

CARB CERTIFIED

Yes

CHARGING*

Dual (AC / DC)

Level-2, J1772, 11 kW, 8 hrs

DCFC, CCS-1, 61kW, 2 hrs

Wireless DC, 55 kW, 2.25 hrs

VOUCHER INCENTIVES

For additional grant assistance, please call (909) 308-0960 or email grants@greenpowermotor.com

OPTION 1

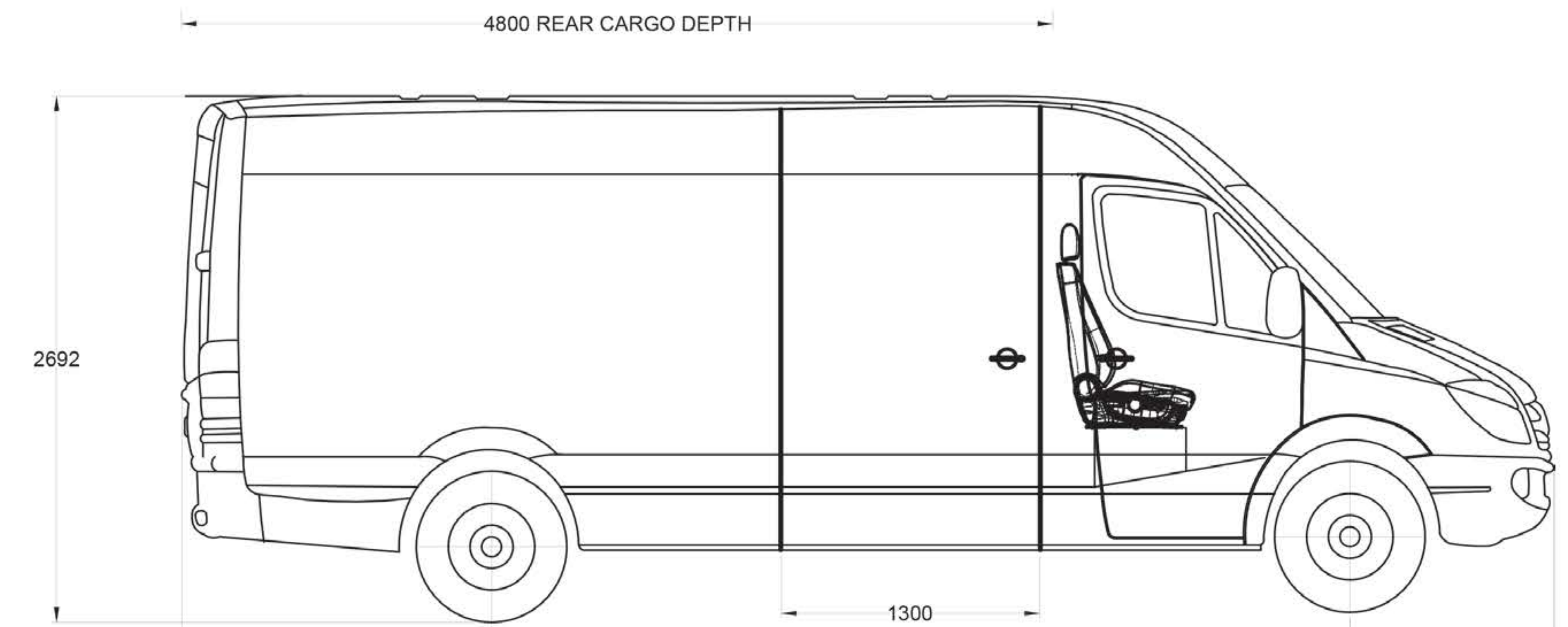


OPTION 2

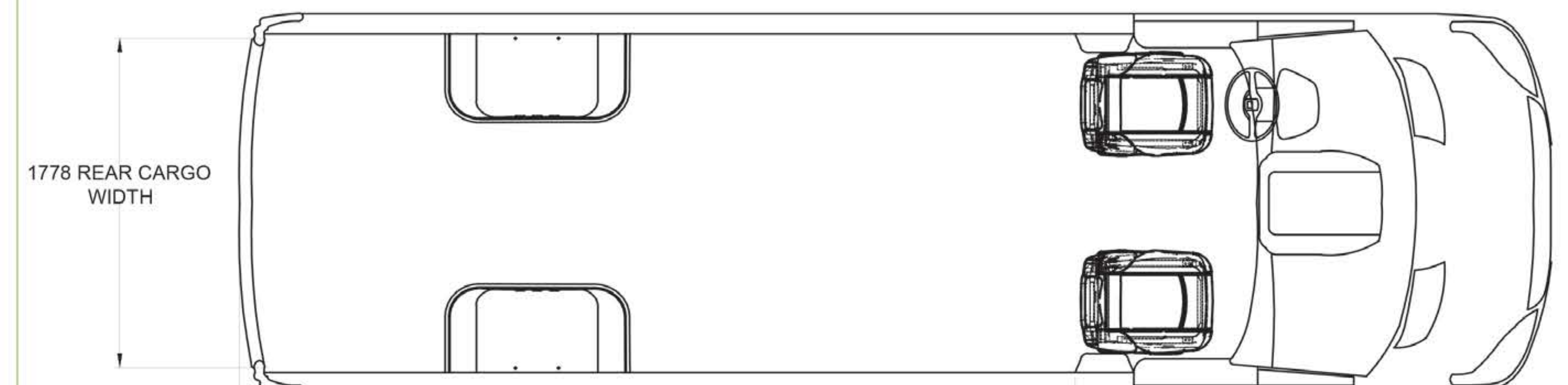


LAYOUT

6.71M OPTION 1

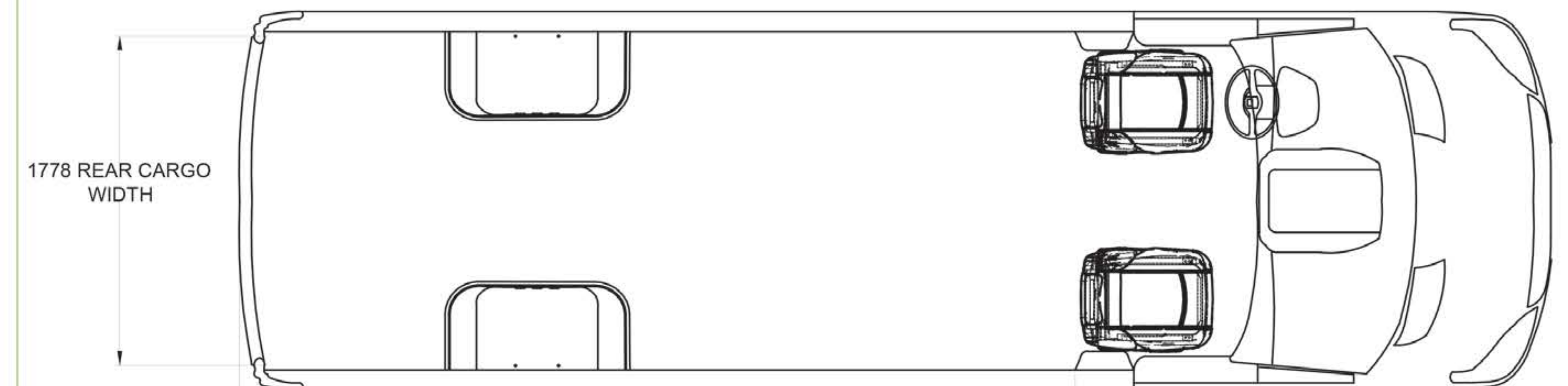


SIDE LOADING



REAR LOADING

7.60M OPTION 2



REAR LOADING